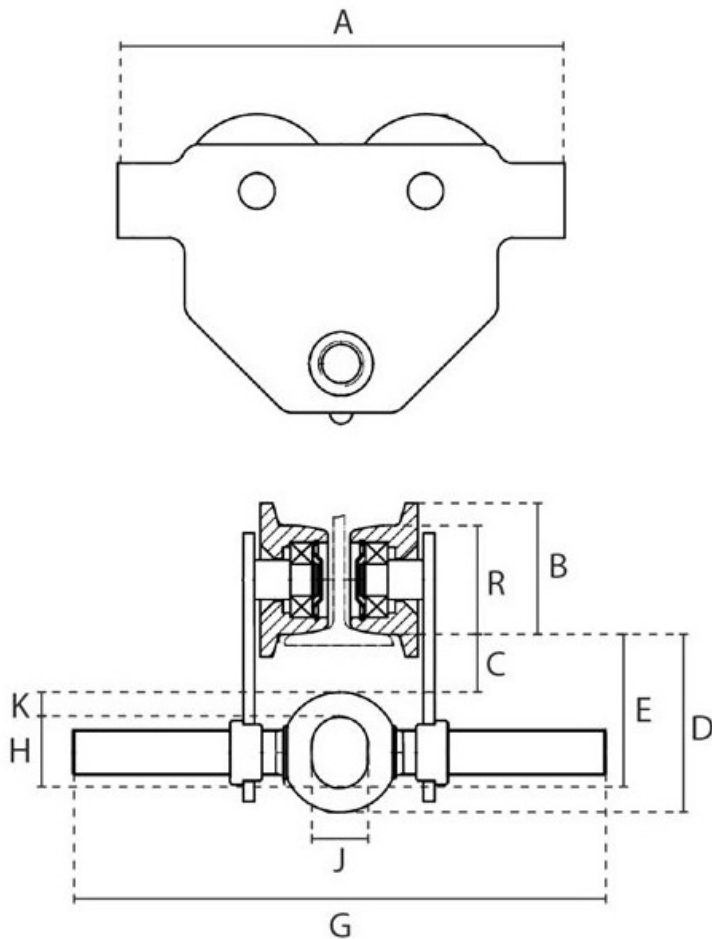


Crane Accessory Specifications from Lifting Gantry Direct

Delta Push Travel Beam Trolley

Model	Capacity (tonne)	Test Load (t)	Suitable Beam Width (mm)	Min. Radius (m)	Wheel Diameter (Radius MM)	Net Weight (kg)
DY0500	0.5t	0.625	50 – 305	0.5	55	5.4
DY1000	1t	1.25	58 – 305	0.7	68	9.3
DY2000	2t	2.5	66 – 305	0.9	80	14.8
DY3000	3t	3.75	74 – 305	1.2	100	24.1
DY5000	5t		90 – 220			40
	5t	6.25	90 – 305	1	120	41.1

DIMENSIONS (mm)									
Capacity (t)	A	B	C	D	E	G	H	J	K
0.5	198	68	40	94	82	385	28	25	13
1	238	82	31	102	85	388	37	29	17
2	277	95	31	119	99	405	48	36	20
3	324	116	31	139	113	429	56	46	26
5	354	373							



Delta DEH Electric Hoist + Hoist with Integral Trolley

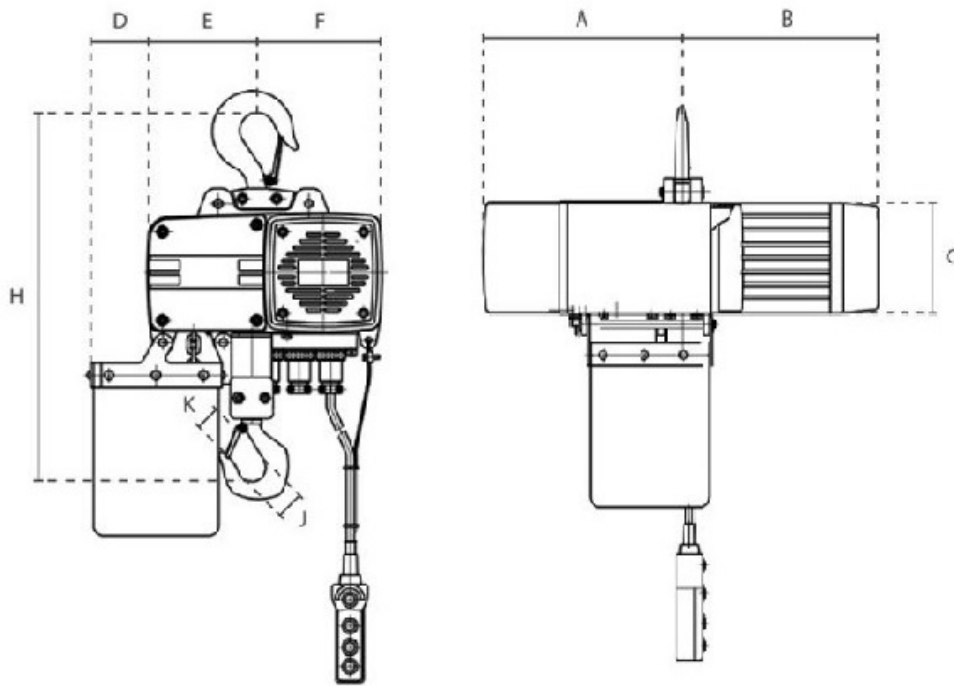
Model	Capacity	Lifting Speed m/min	Load Chain Øxmm	Chain Falls	Power Output	Net Weight	Extra chain weight
DEH 250	250kg	8/2	4 x 12	1	0.4/0.1kW	22kg	0.4kg kg/m
DEH 500	500kg	8/2	5 x 15	1	0.72/0.18kW	33kg	0.7kg kg/m
DEH1000	1000kg	8/2	7.1 x 21	1	1.6/0.4kW	56kg	1.1kg kg/m
DEH 2000	2000kg	4/1	7.1 x 21	2	1.6/0.4kW	58kg	2.2kg kg/m

Technical Data	
Operating Voltage	400-440V / 50Hz / 3Ph
Lifting Speed	Double speed
Control Pendant Cable	Standard 6 meter
Power Cable	1 meter without plug
Load Chain	Load chain according to EN 818-7-DAT/DT
Housing Protection	IP55
Control Pendant Protection	IP65
Classification	M5/2m(ISO/FEM)
Duty Cycle/starts per hour	40% / 240
Insulation Class	F
Operating Temperature	-10C - +40C
Load Type	Goods. Not for lifting people.
Safety Devices	
Control Switch	24V pendant control with emergency stop button
Overload Protection	Externally adjustable slip clutch
Brake	Electro-magnetic spring pressure brake to hold load even if power fails.
Limit Switch	Electro-mechanical upper and lower limit switches
Thermal Protection	Protected through heat sensor

DEH Hoist Dimensions

Model	A	B	C	D	E	F	H	J	K
DEH250	211	228	115	57	114	123	420	40	23
DEH500	231	204	165	62	118	162	465	40	27
DEH1000	264	245	175	67	128	187	575	45	31
DEH2000	264	245	175	89	150	165	690	53	38

Cont....



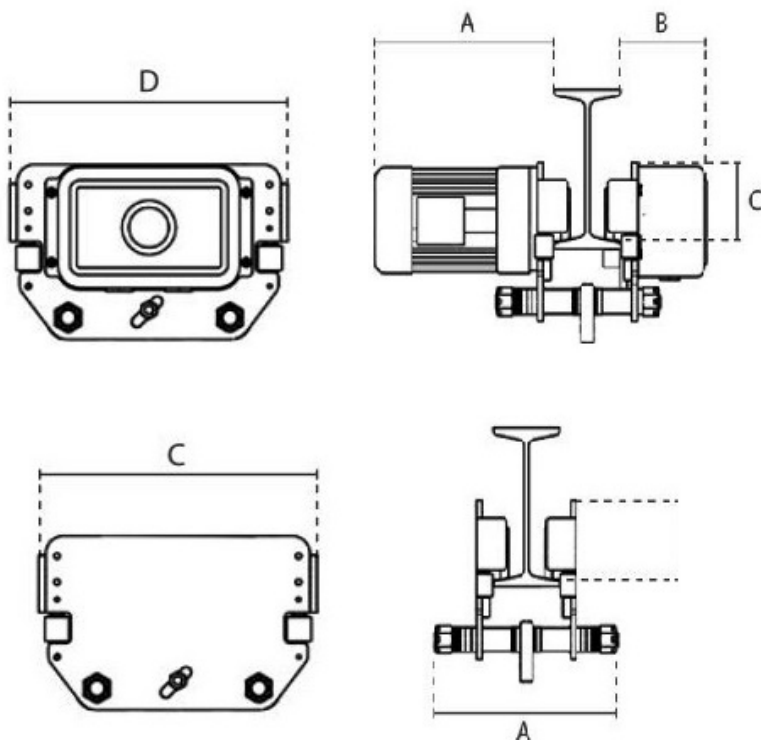
Delta DEH with Integral Trolley

DEY Push Trolley Dimensions for DEH Hoist

Model	Capacity	Min. Radius	Wheel Diameter	Net Weight	A	B	C
DEY250	250kg	2.5m	68mm	7kg	424	75	270
DEY500	500kg	2.5m	68mm	7kg	424	75	270
DEY1000	1000kg	2.5m	68mm	7kg	424	75	270
DEY2000	2000kg	2.5m	75mm	12kg	424	75	270

DED Power Travel Trolley for DEH hoist

Model	Capacity	Min. Radius	Wheel Diameter	Net Weight	A	B	C	D
DED250	250kg	2.5m	68mm	33kg	336mm	131mm	97mm	320mm
DED500	500kg	2.5m	68mm	33kg	336mm	131mm	97mm	320mm
DED1000	1000kg	2.5m	68mm	33kg	336mm	131mm	97mm	340mm
DED2000	2000kg	2.5m	75mm	40kg	338mm	132mm	113mm	340mm



Push Travel

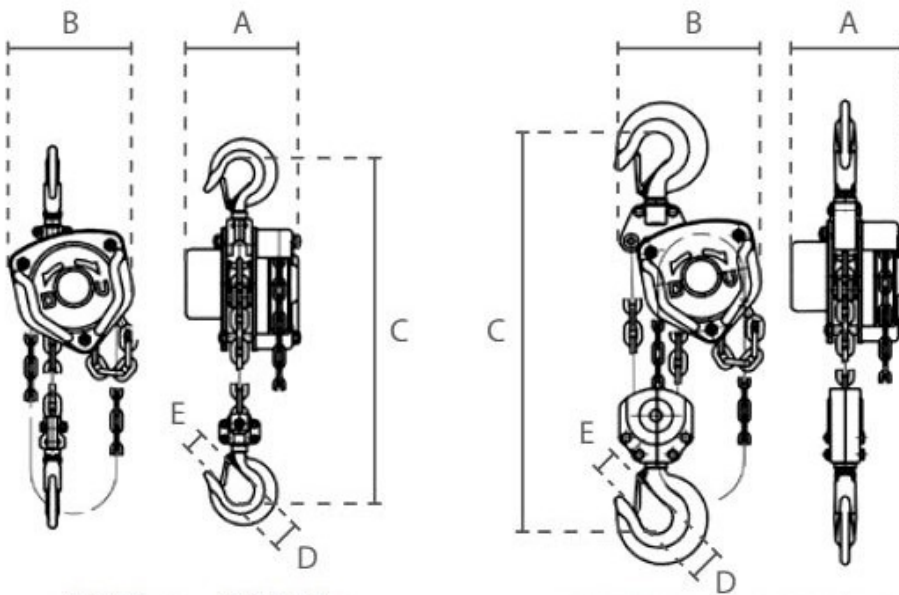


Power Drive

Delta Chain Block

Model	Lifting Capacity	Chain Falls	Load Chain Diameter (mm)	Test Load (kN)	Effort for MAX. Load N(kg)	Weight 3-mtr HOL (KG)	Extra Chain Weight per meter (kg)
DY0.5	500kg	1	6	6.1	200(20.5)	9.2	1.5
DY1.0	1000kg	1	6	12.3	320(32.5)	12.2	1.8
DY2.0	2000kg	1	8	24.5	365(33.5)	18.5	2.4
DY3.0	3000kg	2	8	36.8	385(39)	22.7	3.1
DY5.0	5000kg	2	10	61.1	435(44.3)	36.9	4.6

Model	A	B	C	D	E
DY0.5	138	137	270	35	28
DY1.0	147	162	317	36	26
DY1.5	170	183	399	45	33
DY2.0	170	194	414	43	32
DY3.0	170	220	465	50	37
DY5.0	190	288	618	64	46



500kg - 2000kg

3000kg - 5000kg

